

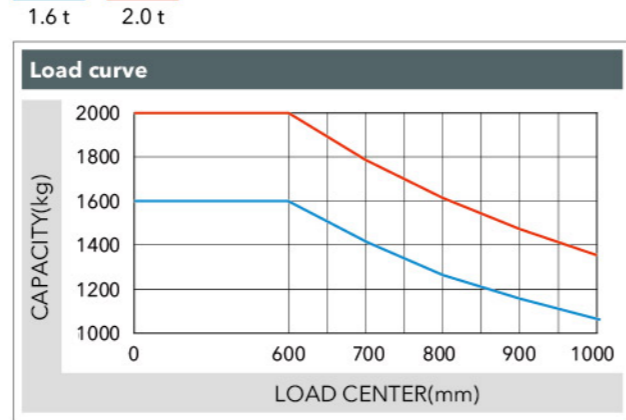
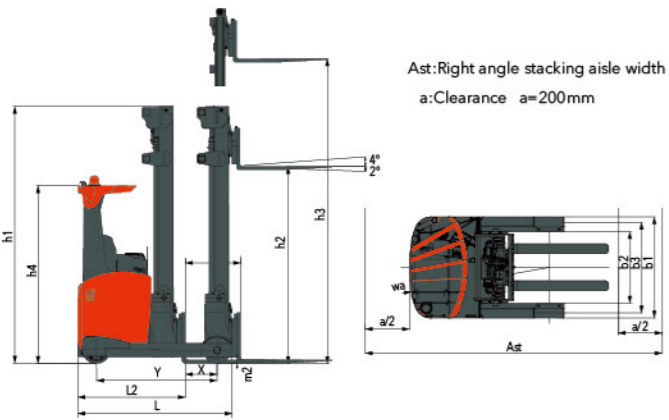
**1.6-2t WIDE VIEW FULL FREE 3-STAGE MAST**

Mast model	Max. lifting height (mm)	Load capacity(load center 600mm)(kg)		Mast overall height (mm)	Free lifting height (with backrest)(mm)	Service weight(kg)		Fork tilt angle (front/rear) α / β
		CQD16-GC2SZ	CQD20-GC2S			CQD16-GC2SZ	CQD20-GC2S	
ZSM460	4600	1600	2000	2314	1280	3104	3490	2°/4°
ZSM480	4800	1600	2000	2381	1340	3123	3509	2°/4°
ZSM540	5400	1500	2000	2581	1540	3181	3567	2°/4°
ZSM570	5700	1350	1900	2681	1640	3209	3595	2°/4°
ZSM630	6300	1300	1900	2881	1840	3267	3653	2°/4°
ZSM675	6750	1250	1800	2982	1940	3300	3686	2°/4°
ZSM700	7000	1200	1700	3065	2030	3324	3710	2°/4°
ZSM715	7150	1200	1700	3115	2080	3338	3724	2°/4°
ZSM750	7500	1100	1700	3232	2190	3372	3758	2°/4°
ZSM800	8000	1000	1500	3398	2360	3420	3806	2°/4°
ZSM850	8500	900	1300	3564	2530	3468	3854	2°/4°

Note: The free lift height is 4600mm-6300mm when the truck is not assembled with backrest. The free lift height is 175mm increased and other height is 25mm increased.

**2t WIDE VIEW MAST**

Mast model	Max. lifting height (mm)	Load capacity (load center 600mm)(kg)	Mast overall height (mm)	Service weight(kg)	Fork tilt angle (front/rear) α / β
M290	2900	2000	2200	3261	2°/4°
M320	3200	2000	2350	3280	2°/4°
M360	3600	2000	2550	3309	2°/4°
M380	3800	2000	2650	3323	2°/4°
M400	4000	2000	2750	3338	2°/4°
M420	4200	2000	2850	3351	2°/4°
M440	4400	2000	2950	3364	2°/4°
M460	4600	2000	3050	3420	2°/4°
M500	5000	1900	3250	3448	2°/4°



Note: The vertical axis stands for load capacity and the horizontal axis stands for load center which is calculated from the front surface of the forks to the gravity of the standard load. the standard load means a cubic with 1000mm edge length. When mast is tilted forward, using non-standard forks or loading large goods, the load capacity will be reduced. The load capacity of standard mast at different load center can be known from this load chart.



**Renewable energy technologies**

With the use of AC controlling renewable energy technologies, the forklift is more energy-saving and the working hour of the battery is extended by 15%.

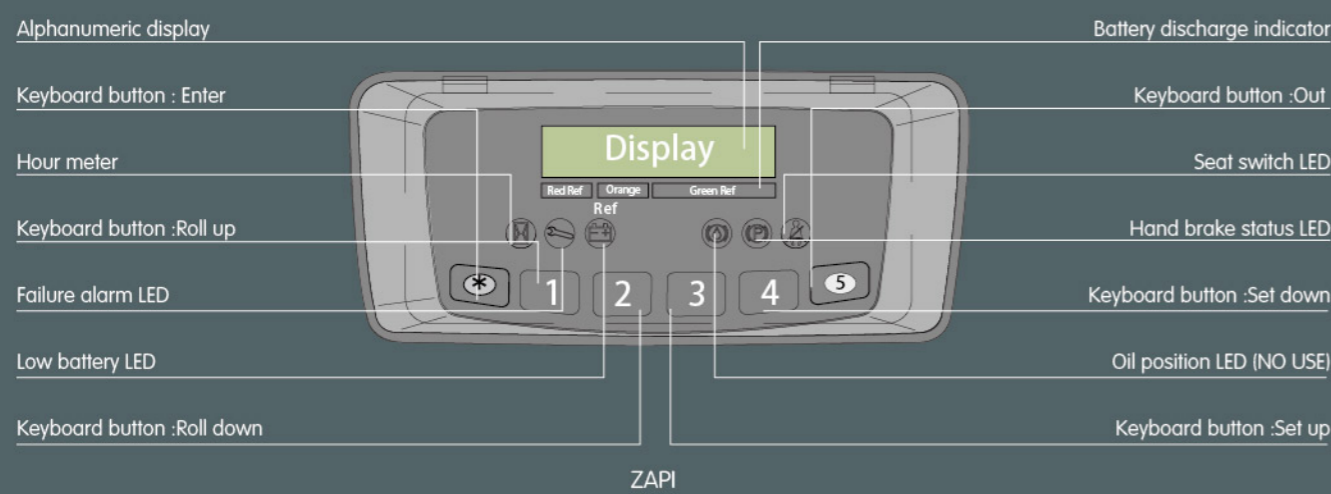
**Manufacturer's Data and Design Characteristics**

Character		CHL	
1.01	Manufacturer		
1.02	Model	CQD16	CQD20
1.03	Configuration number	GC2SZ	GC2S
1.04	Load capacity	1600	2000
1.05	load center distance	600	600
1.06	Power mode	Battery	Battery
1.07	Driving mode	Seated	Seated
1.08	Wheel base	1450	1515
<b>Tyre</b>			
2.01	Tyre type	Polyurethane	Polyurethane
2.02	Wheels, number front/rear (x=driven wheels)	1x/2	1x/2
2.03	Track width, rear	1012	1143
2.04	Wheel size, rear	φ 285x100	φ 330x100
2.05	Wheel size, front	φ 343x114	φ 343x114
<b>Size</b>			
3.01	Lift height	h3	4600
3.02	Free lift	h2	1280
3.03	Mast height, lowered	h1	2314
3.04	Fork size: thickness x width x length	s/e/l	40x122x1150
3.05	Fork adjusting width	mm	244-650
3.06	Fork tilt angle (front/rear)	α / β	2°/4°
3.07	Fork sideshifting	mm	±55
3.08	Truck body length (fork excluded)	L	1847
3.09	Length(the distance from the fork face to rear frame)	L2	1365
3.10	Truck body width	b1	1120
3.11	Distance between support arms	b2	780
3.12	Reach distance	L4	539
3.13	Height of overhead guard (cab)	h4	2215
3.14	Ground clearance, below mast	m2	75
3.15	Turning radius	Wa	1689
3.16	Load distance, centre of support arm wheel to face of forks	X	322
3.17	Aisle width with pallet 1200Lx1200W	Ast	2952
3.18	Aisle width with pallet 1000Lx1200W	Ast	2794
<b>Performance</b>			
4.01	Travelling speed: with/without load	km/h	10/11
4.02	Lifting speed: with/without load	m/s	0.34/0.53
4.03	Lowering speed: with/without load	m/s	0.5/0.5
4.04	Reach speed, with/without load	m/s	0.1/0.15
4.05	Maximum climbing ability, with/without load	%	10/15
<b>Weight</b>			
5.01	Total weight (with battery)	kg	3104
5.02	Axle load, fork outreached, without load, front/rear	kg	1368/1836
5.03	Axle load, fork retracted, without load, front/rear	kg	1772/1432
5.04	Axle load, fork outreached, with load, front/rear	kg	402/4402
5.05	Axle load, fork retracted, with load, front/rear	kg	1372/3432
<b>Battery</b>			
6.01	Battery voltage/capacity Ks	V/Ah	48/420
6.02	Battery weight	kg	710
6.03	Battery box dimension	mm	1035x352x784
<b>Motor and controller</b>			
7.01	Drive motor power (60 min)	kW	6
7.02	Lifting motor power (15%)	kW	11
7.03	Steering motor power (50%)	kW	0.4
7.04	Type of driving control		MOSFET/AC
7.05	Type of Lifting control		MOSFET/AC
7.06	Type of Steering control		MOSFET/AC
7.07	Service brake		-
7.08	Hydraulic system working pressure	Mpa	17.5

NOTE: \*Detailed information about battery, please contact our salesmen or engineer.



THE RELIABLE SPECIAL INSTRUMENT GIVES A COMPLETE DISPLAY OF THE VITAL INFORMATION, LIKE OPERATION STATUS, FAULT DETECTION, ETC. IT ENSURES THE OPERATOR PREDOMINATE THE VEHICLE STATUS MORE INTUITIVE AND CONVENIENT.



**STANDARD CONFIGURATION**

- Travelling motor 48v/6.0kw
- Lifting motor 48v/11.0kw
- Steering motor 48v/0.4kw
- ZAPI travelling motor controller
- ZAPI lifting motor controller
- ZAPI steering motor controller
- DC/DC converter
- Low noisy gear pump
- Control valve ( four throw)
- 4600mm three stage full free lift mast
- Integral sideshifter
- Standard fork
- Backrest
- Polyurethane tyre
- LED meter
- Front working light
- Warning light

**OPTIONAL DEVICE**

- Three-stage full free lift mast (other lifting height)
- Fork with other length
- Fork extension
- Monitoring system
- Reversing buzzer
- Other battery
- Germany hoppecker battery
- Italy FAAM battery
- Japan GS battery
- Battery charger
- Customer made color

Manufacturer: **ANHUI HELI CO., LTD.**  
NO.668 Fangxing Street, Economic Development Zone,  
Hefei, P.R.China  
TEL:86-551-63639458  
FAX:86-551-63639966  
WEBSITE:HTTP://WWW.CHLFORKLIFT.COM  
E-MAIL:CHL@CHLFORKLIFT.COM

AUTHORIZED DEALER

\* Details of specifications and equipment are based on information available at the time of printing and may change without notice.

© 2018 heli copyright

Catalog No.180919 Fokeli Print

**1.6-2.0t** G2 series

AC ELECTRIC REACH TRUCK  
(Sit Down Type)



# 1.6-2.0t G2 series

## AC Electric Reach Truck Sit Down Type (standard type)

### FEATURES OF THE COMPLETED TRUCK

#### Three phase AC type motor technology

- > Three phase AC type motor control on travelling, lifting and steering
- > Good acceleration
- > Fast and sensitive respond on travel direction shifting
- > Free from maintenance motor without carbon brush having long service life and low maintenance cost Energy regenerating during deceleration extending operation hours

#### Newly designed hydraulic system

- > Newly designed hydraulic system with high working efficiency
- > High power lifting motor
- > MOSFET lifting speed governing electric controller
- > New type low noisy gear pump

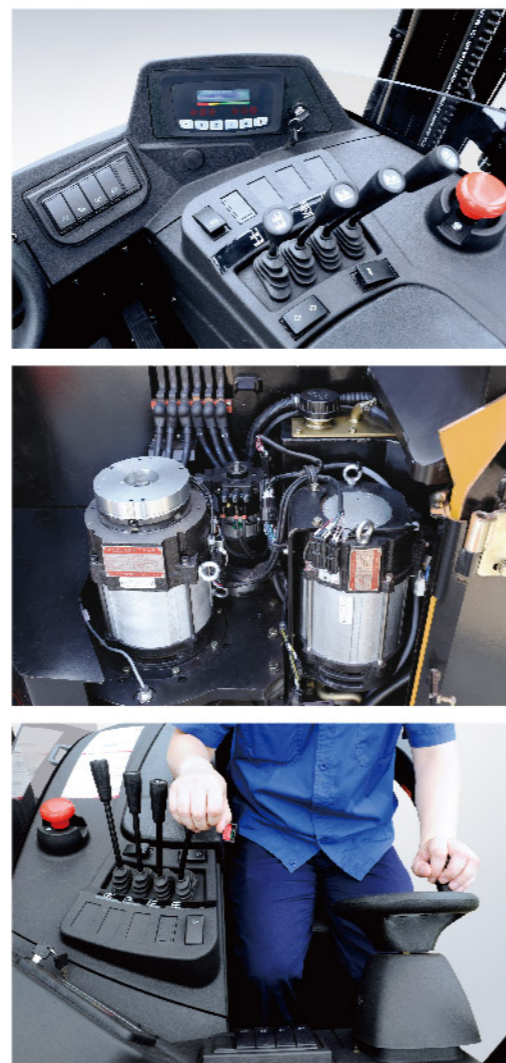
**G2 series** / INTELLIGENT  
ENVIRONMENT-FRIENDLY

#### Advanced EPS electric powered steering

- > EPS electric powered steering offering easy, flexible, high efficient and mute operation
- > Steering motor controller
- > Automatic centering function
- > Automatic limit on speed and accelerated speed when steering

#### Optimized intelligent design

- > ZAPI travelling motor controller
- > ZAPI lifting motor controller
- > ZAPI steering motor controller
- > CAN bus technology
- > Emergency power off of both main circuit and control circuit
- > Parking brake on slope
- > Operation sequence protection
- > Travelling speed control
- > Electric controller self protection



#### Displayer

- > High quality meter displaying important operating data
- > 180° steering angle position display
- > Display of battery quantity and fault code
- > Travelling mode selection
- > Lifting lock indication
- > Hour meter
- > Labor hour display

#### Wide view mast

- > Good view when loaded
- > Integral sideshifter
- > Mast vertical, fork tilt
- > High residual load capacity at high lift height
- > Buffering during lifting and lowering
- > Buffering on lifting and lowering limit
- > High quality parts ensures long service life
- > Lift height range:4600-8500mm

#### Comfort cab

- > Comfort cab offering driver good working environment and easy operation
- > Easy reach to important operation
- > Adjustable seat (seat position /backrest angle )

#### Overhead guard

- > Fence on top of the overhead guard offering driver wide view
- > Beveled view angle design with front ring beam meeting humanized requirements